



AEROSPACE



AERO STORAGE **902**

Roller cases 902
 Safety roller cabinets 904
 AERO tool sets 905



RING WRENCHES **909**

Long and curt ring wrenches series 909



AERO SOCKETS **912**

Sockets 1/4" 912
 Sockets 3/8" 913



AERO TORQUE CONTROL **914**

1/4" - 3/8" crowfoot bits 914
 Sets of 1/4" - 3/8" crowfoot profile 916
 3/8" crowfoot profile bits 916



AERO RATCHETS - SOCKETS **918**

Ratchets 1/4" 918
 Ratchets 3/8" 918
 Ratchets 1/2" 918
 Sockets 1/4" 919



AERO SCREWING **920**

Screwdrivers 920



AERO PLIERS **920**

Locking-wire pliers 920



AERO PLIERS **921**

Inspection creeper 921
 Mid-height work seat 921



FOD FLUORESCENT TOOLING **922**

Inspection mirrors 922
 Flexible magnetic nger 923



FLUO

RFid



DESIGNING SOLUTIONS DEDICATED TO THE AERONAUTICAL INDUSTRY



Nearly 100 years
innovation at
the service of
the aeronautical
industry



Since 1918, FACOM has invested in technical evolutions to accompany the entire aeronautical sector. Whatever your activity: manufacturer, assembler, subcontractor, motorist, maintenance, etc. and whatever your domain: civilian, military, space, etc. FACOM offers solutions meeting your needs.



DESIGNING SOLUTIONS DEDICATED TO THE AERONAUTICAL INDUSTRY



HELICOPTERS



MILITARY AIRCRAFT



SPACE



CIVIL AVIATION

The following partners trust us.

Airbus Group, Air France/KLM Industries, GE Aviation Systems, British Airways Engineering, Emirates, Safran, Thales, GKN Aerospace, Sabena Technics, Dassault, Cessna, Rolls Royce, Latecoere, Embraer, BAE Systems, etc.



-
-
-
-
-
-
-
-
-
-
-
-
-
-
-
-
- FLUO
- RFid
-
-
-
-
-

ADVANCED FOD SOLUTIONS FOR THE AERONAUTICAL SECTOR



Whether for manufacturers or maintenance services, safety has always been at the heart of the aeronautical sector and avoiding Foreign Object Debris (FOD) has become one of its unavoidable aspects. The annual financial impact of FODs for the aeronautical industry is estimated to be \$ 13 billion, with indirect costs from FODs up to ten-fold the direct costs resulting when totalling the delays, aircraft substitutes, fuel expenses and unplanned maintenance.

Preformed foam modules

A precious visual aid for instant tool inventory and presence check in the roller cabinet.



130



ADVANCED FOD SOLUTIONS FOR THE AERONAUTICAL SECTOR



THE RANGE **FACOM • FLUO**

Detectable using a UV lamp, the Fluo range offers a simple and unique answer to the market by the multiplicity of tools available.



THE TECHNOLOGY **FACOM • RFid**

- Directly detectable tools featuring an RFID chip.
- Automated management of your tooling and its inventory with Facom-Cribmaster RFID technologies.

For more information on the RFID technology, refer to the dedicated catalogue or go to www.facom.com/uk/



RFid
TECHNOLOGY
BY FACOM



FLUO

RFid



ROLLER CASES

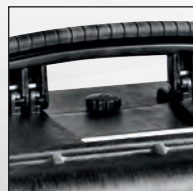
MOBILE STORAGE

Very strong

- Made of injected polypropylene, shock resistant.
- Reinforced angles to increase lifetime.
- Stainless steel hinge angle, resists corrosion.

**Easy to carry**

- Ergonomic telescopic handle increasing comfort of use.
- Handles on the 2 sides allowing easy handling.
- Ultra strong wheels.
- Depressurisation valve.

**Sealed**

- Sealing gasket, fitted in one operation: protects the content against outside aggressions.
- Minimum play clasps, 100% sealed to dust and water.

Modular

- Adaptable on request to all types of tool sets through the foam program.
- Stackable.
- Several locking points.
- Customizable identification plate.



Sealed roller chest

**IP67 STANAG 4280 DEF STAN 81-41 (Niv. J)**

- High density injected polypropylene resistant to extreme conditions of use. Compatible with military, aerospace... use
- Totally sealed and resists to shock, dust and industrial fluids.
- Several padlock clasps available.
- Stainless steel hinge pins.
- Gap-free clasps and sealing gasket.
- Resists pressure differences. Manual depressurizing valve.
- Handle designed for maximum comfort.
- Temperature tolerance: -33°/+90°.
- Telescopic handle and side handles for easier use.
- Stackable.
- Customizable identification plate.
- Inner dimensions (LxWxD): 517x277x217 mm.
- Outer dimensions (LxWxD): 546x347x247 mm.



BV.FC1

ΔΔ [kg]

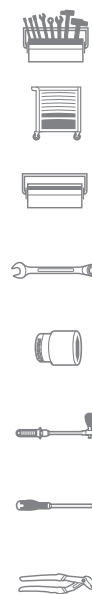
6.540

Sealed roller chest

IP67 STANAG 4280 DEF STAN 81-41 (Niv. J) MIL-STD 810F

- High density injected polypropylene resistant to extreme conditions of use. Compatible with military, aerospace... use
- Totally sealed and resists to shock, dust and industrial fluids.
- Several padlock clasps available.
- Stainless steel hinge pins.
- Gap-free clasps and sealing gasket.
- Resists pressure differences. Manual depressurizing valve.
- Handle designed for maximum comfort.
- Temperature tolerance: -33°/+90°.
- Telescopic handle and side handles for easier use.
- Stackable.
- Customizable identification plate.
- Inner dimensions (LxWxD): 538x405x250 mm.
- Outer dimensions (LxWxD): 627x475x292 mm.

	$\Delta\Delta$ [kg]
BV.FC2	9.950



Sealed roller chest

IP67 STANAG 4280 DEF STAN 81-41 (Niv. J) MIL-STD 810F

- High density injected polypropylene resistant to extreme conditions of use. Compatible with military, aerospace... use
- Totally sealed and resists to shock, dust and industrial fluids.
- Several padlock clasps available.
- Stainless steel hinge pins.
- Gap-free clasps and sealing gasket.
- Resists pressure differences. Manual depressurizing valve.
- Handle designed for maximum comfort.
- Temperature tolerance: -33°/+90°.
- Telescopic handle and side handles for easier use.
- Stackable.
- Customizable identification plate.
- Inner dimensions (LxWxD): 580x440x330 mm.
- Outer dimensions (LxWxD): 670x510x372 mm.

	$\Delta\Delta$ [kg]
BV.FC3	12.320



Sealed roller tool chest

- High density injected polypropylene resistant to extreme conditions of use. Compatible with military, aerospace... use
- Totally sealed and resists to shock, dust and industrial fluids.
- Several padlock clasps available.
- Stainless steel hinge pins.
- Clasps easy to use.
- Resists pressure differences.
- 2 lateral handles & telescopic handle.
- Temperature tolerance: -33°/+90°.
- Customizable identification plate.
- 4 60mm high drawers + worktop
- Tools accessible from the front or the top.

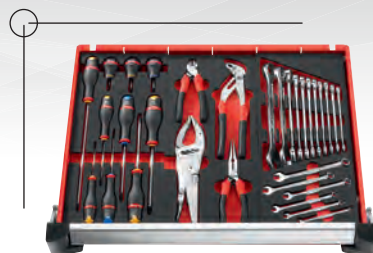
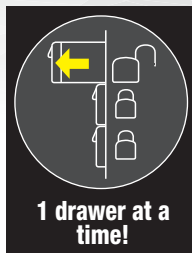
	Width l [mm]	L [mm]	$\Delta\Delta$ [kg]
BV.FC4S	381	581	14



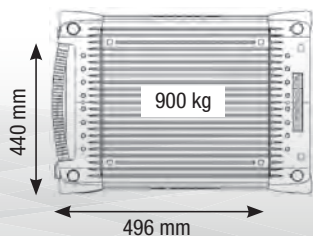
SAFETY ROLLER CABINETS

ROLLER CABINETS SAFETY

safety lock system **JET+**



- 3 modules per drawer
- 12 to 27 modules distributed in drawers 60 and 130 mm high (drawers 200 and 270 mm high may also be fitted with modules)



- 125 to 185 kg total allowed load in the drawers according to drawer composition (240 kg for the 11 drawer)
- 150 to 155 litres useful volume according to drawer composition (230 litres for the 11 drawer)
- 0,22m² useful working surface (440 X 496 mm)

LOAD PER DRAWER	USEFUL VOLUME PER DRAWER
- drawer 60 mm high: 20 kg	- drawer 60 mm high: 15 l
- drawer 130 mm high: 25 kg	- drawer 130 mm high: 30 l
- drawer 200 mm high: 30 kg	- drawer 200 mm high: 50 l
- drawer 270 mm high: 35 kg	- drawer 270 mm high: 65 l

■ JET+ 6-drawer roller cabinets - 3 modules per drawer - safety range



- Supplied with the SAFETY LOCK SYSTEM preventing simultaneous opening of several drawers:
 - 1 drawer at a time.
 - Prevents the roller cabinet from tipping over.
- 6 drawers = 15 modules distributed in the 60 and 130 mm wall drawers:
 - 4 drawers 60 mm wall = 12 modules.
 - 1 drawer 130 mm wall = 3 modules.
 - 1 drawer 270 mm wall.
- The 130 and 270 mm drawers can also be fitted with modules.
- Supplied with 6 partitions for 60 mm drawers and 2 partitions for 130 mm drawers.
- Total load in the drawers: 140 kg.
- Wall storage capacity: 155 litres.
- Drawer useful size: L.569 x D.421 x H.60 / 130 / 210 / 270 mm.
- 4 wheels 125 mm diameter: 2 fixed, 2 castors, one with brake.

	H [mm]	L [mm]	P [mm]	Color	ΔΔ [kg]
JET.6GM3S	971	774	546	Noir 9004	75.5

■ JET+ 8-drawer roller cabinets - 3 modules per drawer - safety range



- Supplied with the SAFETY LOCK SYSTEM preventing simultaneous opening of several drawers:
 - 1 drawer at a time.
 - Prevents the roller cabinet from tipping over.
- 8 drawers = 24 modules distributed in the 60 and 130 mm wall drawers:
 - 6 drawers 60 mm wall = 18 modules.
 - 2 drawers 130 mm wall = 6 modules.
- Total load in the drawers: 170 kg.
- Wall storage capacity: 150 litres.
- 4 wheels 125 mm diameter: 2 fixed, 2 castors, one with brake.
- Drawer useful size: L.569 x D.421 x H.60 / 130 / 210 / 270 mm.
- Supplied with 8 partitions for drawers 60 mm wall.

	H [mm]	L [mm]	P [mm]	Color	ΔΔ [kg]
JET.8GM3S	971	774	546	Noir 9004	79.5

AERO

MODULES

Inch combination wrench set in foam module



• Contains:
13 x 440.1/4 - 5/16 - 11/32 - 3/8 - 7/16 - 1/2 - 9/16 - 5/8 - 11/16 - 3/4 - 13/16 - 7/8 - 15/16.

Icon	H [mm]	Width l [mm]	L [mm]	Qty	Content set	ΔΔ [kg]
	45	188	418	13	PM.MOD440-4	1.640

Inch ratchet combination wrench set in foam module



• Contains :
12 x 467.1/4 - 5/16 - 11/32 - 3/8 - 7/16 - 1/2 - 9/16 - 5/8 - 11/16 - 3/4 - 7/8 - 15/16.

Icon	H [mm]	Width l [mm]	L [mm]	Qty	Content set	ΔΔ [kg]
	45	188	418	12	PM.MOD467JU12	2.040

Inch hinged ratchet combination wrench set in foam module



• Contains:
8 hinged ratchet combination wrenches in inches:
5/16 - 3/8 - 7/16 - 1/2 - 9/16 - 5/8 - 11/16 - 3/4".

Icon	H [mm]	Width l [mm]	L [mm]	Qty	Content set	ΔΔ [kg]
	45	188	418	8	PM.MOD467FJU8	1.175

10-piece foam module of inch-size short ratchet combination wrenches



• Contains : 10 x 467S.1/4, 5/16, 11/32, 3/8, 7/16, 1/2, 9/16, 5/8, 11/16, 3/4.

Icon	H [mm]	Width l [mm]	L [mm]	Qty	Content set	ΔΔ [g]
	45	188	418	10	PM.MOD467SJU10	896

7-piece foam module of metric-size 15° angled long-reach ring wrenches



• Contains: 7 x 57L.5.5X7, 8X9, 10X11, 12X13, 12X14, 17X19, 18X20.

Icon	H [mm]	Width l [mm]	L [mm]	Qty	Content set	ΔΔ [kg]
	45	188	418	7	PM.MOD57LJ7	2.04

5-piece foam module of inch-size 15° angled long-reach ring wrenches



• Includes :
5 x 57L.7/32x1/4, 5/16x3/8, 7/16x1/2, 1/2x9/16, 5/8x3/4.

Icon	H [mm]	Width l [mm]	L [mm]	Qty	Content set	ΔΔ [kg]
	45	188	418	5	PM.MOD57LJU5	1.377



FLUO

RFid



AERO MODULES

6-piece foam module of Spline 15° angled long-reach ring wrenches



• Contains: 6 x 57L.7X9SPL, 8X10SPL, 12X14SPL, 16X18SPL, 18X20SPL, 22X24SPL.

Part No.	H [mm]	L [mm]	Width I [mm]	Content set	Qty	ΔΔ [kg]
MODM.57LSPL6	45	418	188	PM.MOD57LSPL6	6	1.0

8-piece foam module of inch-size 10° angled short-reach ring wrenches



• Includes :
 - 4 x 56A.1/4X5/16, 3/8X7/16, 1/2X9/16, 9/16X5/8
 - 4 x 56L.11/16x3x4, 5/16X3/8, 7/16x1/2, 9/16x5/8.

Part No.	H [mm]	Width I [mm]	L [mm]	Content set	Qty	ΔΔ [kg]
MODM.56JU8	45	188	418	PM.MOD56JU8	8	0.900

Inch straight ratchet ring wrenches in foam module



• Contains:
 - 6 inch wrenches 64: 1/4X5/16, 3/8X7/16, 1/2X9/16, 5/8X11/16, 3/4X13/16, 64.7/8X15/16".

Part No.	H [mm]	Width I [mm]	L [mm]	Content set	Qty	ΔΔ [kg]
MODM.64JU6	45	188	418	PM.MOD64JU6	6	1.3

Inch straight ratchet ring wrenches in foam module



• Includes :
 6 x 65.1/4X5/16, 3/8X7/16, 1/2X9/16, 5/8X11/16, 3/4X13/16, 64.7/8X15/16.

Part No.	H [mm]	Width I [mm]	L [mm]	Content set	Qty	ΔΔ [kg]
MODM.65JU6	45	188	418	PM.MOD64JU6	6	1.3

7-piece foam module of Spline 15° angled ratchet ring wrenches



• Includes :
 7 x 65.7X9SPL, 8X10, 12X14, 16X18, 20X22, 24X28, 26X30.

Part No.	H [mm]	Width I [mm]	L [mm]	Content set	Qty	ΔΔ [kg]
MODM.65SPL7	45	188	418	PM.MOD65SPL7	7	0.95

1/4" locking ratchet and inch-size sockets foam module



• Comprising:
 - 1 x RL.171
 - 1 x R.210RC
 - 1 x R.217RC.
 - 11 x R.1/2E, 1/4, 11/32, 13/32, 3/16, 3/8, 5/16, 7/16, 7/32, 9/16, 9/32
 - 10 x R1/2EL, 1/4, 11/32, 3/16, 3/8, 5/16, 7/16, 7/32, 9/16, 9/32.

Part No.	H [mm]	Width I [mm]	L [mm]	Content set	Qty	ΔΔ [kg]
MODM.RL1U	45	188	418	PM.MODRL1U	24	1.2

1/4" locking ratchet and inch-size sockets foam module



- comprising:
- 1 x RL.161
- 1 x R.120A
- 1 x J4763
- 1 x R.209
- 1 x R.350RCK
- 1 x R.215 - 11 x R.1/2E, 1/4, 11/32, 13/32, 3/8, 5/16, 7/16, 7/32, 9/16, 9/32
- 1 x 83SH.JP8AU
- 1 x R.236A - 3 x ED.101T, 102, 103
- 3 x EP.101T, 102, 103 - 2 x ES.134.5T, 136,5
- 5 x EH.103, 104, 105, 106, 107
- 5 x EX.115, 120, 125, 130, 140 - 1 x R.240A - 1 x R.236A- 1 x R.235.

	H [mm]	Width l [mm]	L [mm]	Content set	Qty	ΔΔ [kg]
MODM.RL2U	45	188	418	PM.MODRL2U	40	1.3

3/8" locking ratchet - inch sockets in foam module



- Contains :
- Ratchet JL.171
- 2 locking extensions J.210RC, J217RC.
- 13 3/8" J sockets: from 1/4" to 1".
- 10 long 3/8" JLA sockets: from 1/4" to 7/8".
- 7 inch ring wrenches from 1/4" to 15/16".
- 1 bit holder ratchet wrench 65.PE.

	H [mm]	Width l [mm]	L [mm]	Content set	Qty	ΔΔ [kg]
MODM.JL2U	45	564	418	PM.MODJL2U	36	4.2

1/2" locking ratchet - inch sockets in foam module



- Contains :
- 1 x SL.171 - 1 x S.210RC
- 1 x S.215RC
- 16 x S.1/2, 11/16, 13/16, 15/16, 1P, 1P1/16, 1P1/4, 1P1/8, 1P3/16, 3/4, 3/8, 5/8, 7/16, 7/8, 9/16
- 7 x S.1/2LA, 11/16, 13/16, 15/16, 3/4, 5/8, 7/16, 7/8, 9/16.

	H [mm]	Width l [mm]	L [mm]	Content set	Qty	ΔΔ [kg]
MODM.SL2U	45	188	418	PM.MODSL2U	26	4.0

6-piece set of metric ring wrenches in foam tray



- Comprising:
- 6 x 59L.6X7, 8X9, 10X11, 12X13, 14X15, 18X19.

	H [mm]	Width l [mm]	L [mm]	Content set	Qty	ΔΔ [kg]
MODM.59LJ6	45	188	418	PM.MOD59LJ6	6	1.65

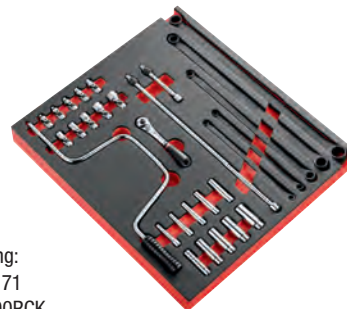
4-piece set of inch ring wrenches in foam tray



- Comprising: 4 x 59L.5/8X3/4, 59L.1/2X9/16, 59L.1/4X5/16, 59L.3/8X7/16.

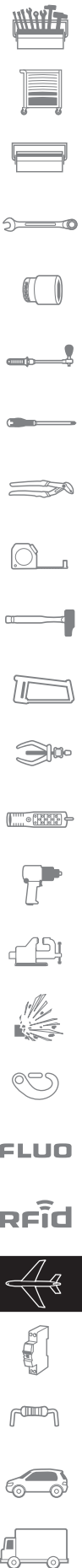
	H [mm]	Width l [mm]	L [mm]	Content set	Qty	ΔΔ [kg]
MODM.59LJU4	45	188	418	PM.MOD59LJU4	4	0,890

1/4" engine set in foam tray



- Comprising:
- 1 x RL.171
- 1 x R.100RCK
- 1 x R.350RCK
- 10 x R.1/2EL, 1/4, 11/32, 3/16, 3/8, 5/16, 7/16, 7/32, 9/16, 9/32
- 10 x R.1/2F, 1/4, 11/32, 3/16, 3/8, 5/16, 7/16, 7/32, 9/16, 9/32 - 5 x 57L.5/8X3/4, 7/32X1/4, 1/2X9/16, 1/4X5/16, 3/8X7/16
- 1 x R.110.

	H [mm]	Width l [mm]	L [mm]	Content set	Qty	ΔΔ [kg]
MODM.ENG-R	45	150	418	PM.MODENGR	31	3.0



FLUO

RFid



AERO MODULES

Set of 1/4" and 3/8" metric components in foam tray



- Comprising:
 - 1 x RL.171
 - 1 x JL.171
 - 3 x J.16S, J.18S, J.20S
 - 6 x R.7S, R.8S, R.9S, R.10S, R.12S, R.14S
 - 5 x 65.12X14SPL, 16X18, 20X22, 24X28, 26X30, 7X9, 8X10.




	H [mm]	Width I [mm]	L [mm]	Content set	Qty	ΔΔ [kg]
MODM.SPL	45	188	418	PM.MODSPL	16	3.8

6-piece metric 15° hinged long-reach offset-ring wrenches in thermoformed tray



- Compatible with the Facom modular storage system:
 - Compatible with CHRONO XL, CHRONO+, JETXL and JET+ roller cabinets.




	H [mm]	Width I [mm]	L [mm]	Content set	Qty	ΔΔ [kg]
MOD.57LJ6	40	175	418	PL.697	6	1.001

6-piece metric long double ended ring wrenches in thermoformed tray



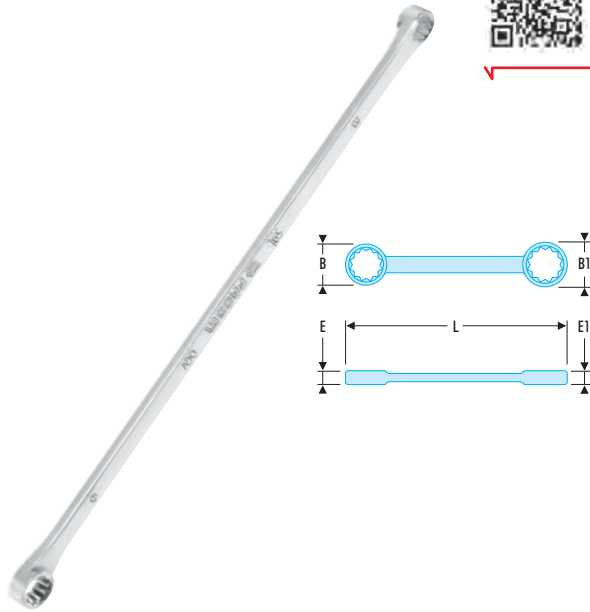
- Compatible with the Facom modular storage system:
 - Compatible with CHRONO XL, CHRONO+, JETXL and JET+ roller cabinets.



	H [mm]	Width I [mm]	L [mm]	Content set	Qty	ΔΔ [kg]
MOD.59LJ6	40	175	418	PL.698	6	1,650

LONG AND CURT RING WRENCHES SERIES

59L - Metric long double ended ring wrenches

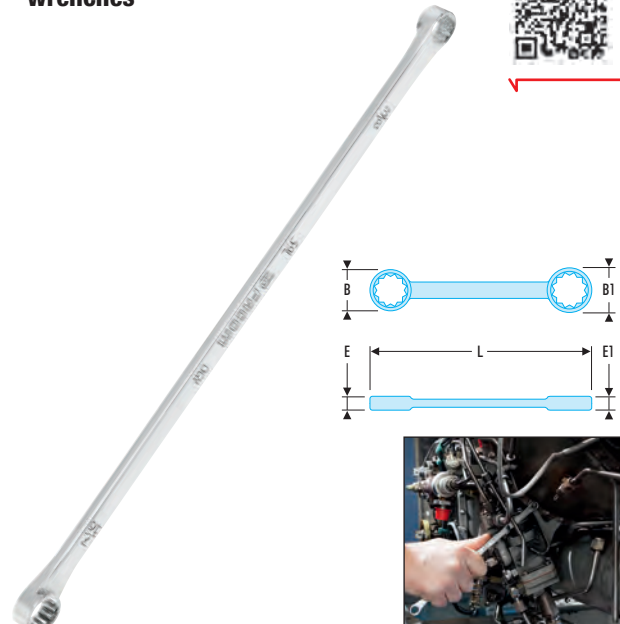


AS 955

- Offset box end for manoeuvrability in confined spaces.
- Metric dimensions: from 6 mm to 19 mm.
- Presentation: satin chrome finish.

🔗	A ["]	B [mm]	B1 [mm]	E [mm]	E1 [mm]	L [mm]	ΔΔ [g]
59L.6X7	6X7	10,2	11,6	6,3	7,3	200	60
59L.8X9	8X9	11,8	13,3	6,5	7,5	240	63
59L.10X11	10X11	14,6	16	7,5	8,7	288	98
59L.12X13	12X13	17,3	18,8	10,4	11,3	330	176
59L.14X15	14X15	20	21,5	12	13,7	364	258
59L.14X17	14X17	20	23,9	12	13,7	364	263
59L.18X19	18x19	25,3	26,5	14	15,1	405	369

59L - Inch long double ended ring wrenches



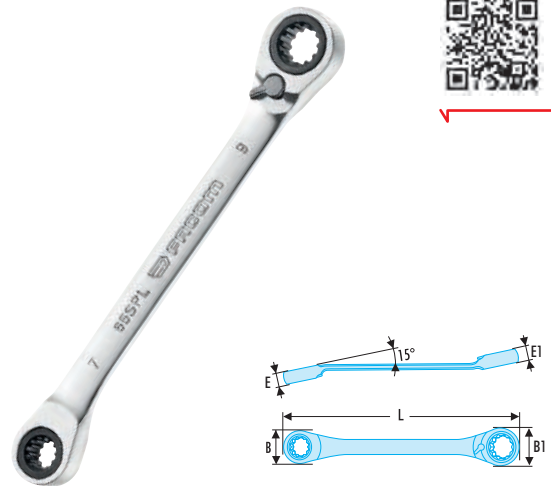
AS 954

- Offset box end for manoeuvrability in confined spaces.
- Dimensions in inches: from 1/4" to 13/16".
- Presentation: satin chrome finish.

🔗	A ["]	B [mm]	B1 [mm]	E [mm]	E1 [mm]	L [mm]	ΔΔ [g]
59L.1/4X5/16	1/4x5/16	10,2	11,6	6,3	7,3	200	60
59L.3/8X7/16	3/8x7/16	14,6	17,2	7,5	8,8	288	100
59L.1/2X9/16	1/2x9/16	18,8	20	12	13,7	364	176
59L.5/8X3/4	5/8x3/4	22,8	26,5	14	15,1	405	356
59L.11/16X13/16	11/16x13/16	25,4	30	17	18	410	369

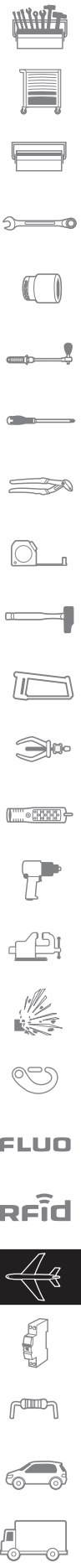
65 SPL - Spline 15° angled ratchet ring wrenches

- Spline profile 15° angled ring ratchets for aeronautical fasteners.
- The spline profile applies more torque with less strength as the tightening contact surface is higher.
- The contact points of a Spline wrench are always far from the nut's angles. This limits wear of the nuts.
- The Spline profile ensures high versatility. It is compatible with Spline, Torx, 4-, 6- and 12-point fasteners.
- Recess under the handle allows to pass fingers or an obstacle.
- Reversible compact lever ratchet mechanism.
- 5° increments (6° for sizes 7, 8 and 9).
- Spline sizes: 7 to 36
- Satin chrome finish.



🔗	A ["]	B [mm]	B1 [mm]	E [mm]	E1 [mm]	L [mm]	ΔΔ [g]
65.7X9SPL	7/32x9/32	14	17	6,3	6,5	115	24
65.8X10SPL	1/4x5/16	14	17	6,3	6,5	115	30
65.12X14SPL	3/8x7/16	20,2	22	7,3	7,7	150	49
65.16X18SPL	1/2x9/16	25,5	26,9	8,6	9	180	99

🔗	A ["]	B [mm]	B1 [mm]	E [mm]	E1 [mm]	L [mm]	ΔΔ [g]
65.20X22SPL	5/8x11/16	29,8	31,8	9,9	10,3	200	165
65.24X28SPL	3/4x7/8	34	40,1	11,2	13	245	276
65.26X30SPL	13/16x15/16	40,1	46,5	13	14,5	260	294
65.32X36SPL	1x1P1/8	46	58,5	14,5	17	295	658



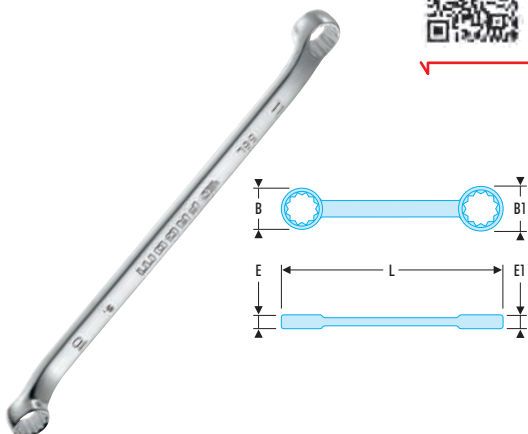
FLUO

RFid



LONG- AND SHORT-REACH OFFSET-RING SERIES

56L - Long-reach metric offset ring wrenches with 10° angle

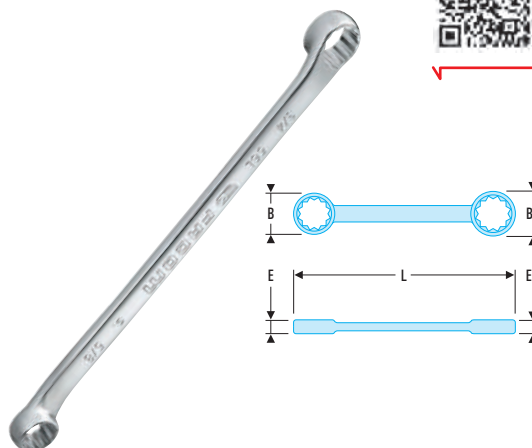


ISO 691, AS954, ISO 9227

- Short offset ring wrenches 10°. Recess allows to pass fingers or an obstacle.
- Ergonomic handle to apply torque while maintaining comfort of use.
- OGV® profile 12-point ring for powerful tightening while protecting the nut.
- Metric dimensions: 6 to 32 mm.
- Satin chrome finish.

Ø	A [mm]	B x B1 [mm]	E x E1 [mm]	L [mm]	ΔΔ [g]
56L.6X7	6X7	12,5x10,5	5,90x6,50	170	46
56L.8X9	8X9	14,6x12,5	6,50x7,60	180	72
56L.10X11	10X11	17,0x15,5	8,50x9,00	185	81
56L.12X13	12X13	21,0x19,0	9,30x10,30	220	142
56L.14X15	14X15	23,3x21,0	10,30x11,50	230	162
56L.16X17	16X17	26,5x25,0	11,50x11,80	250	210
56L.17X19	17X19	27,5x25,6	11,80x12,80	270	250
56L.18X19	18X19	29,5x28,5	12,50x13,50	270	250
56L.20X22	20X22	32,2x29,9	13,50x14,50	300	361
56L.21X23	21X23	35,5x32,5	14,00x14,50	330	500
56L.24X27	24X27	40,0x36,2	14,50x16,00	370	604
56L.30X32	30X32	47,5x44,6	17,50x18,00	430	763

56L - Inch 10° hinged long-reach ring wrenches

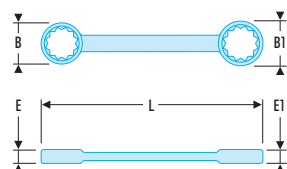


ASME B107.100

- Long-reach 10° offset-ring wrenches. Recess allows to pass fingers or an obstacle.
- Ergonomic handle to apply torque while maintaining comfort of use.
- OGV® profile 12-point ring for powerful tightening while protecting the nut.
- Inch sizes 3/16" to 13/16
- Satin chrome finish.

Ø	A ["]	B x B1 [mm]	E x E1 [mm]	L [mm]	ΔΔ [g]
56L.1/4X5/16	1/4x5/16	10,5x12,5	5,9x6,5	170	48
56L.5/16X11/32	5/16x11/32	12,5x13,5	6,5x7,2	180	62
56L.5/16X3/8	5/16x3/8	12,5x14,6	6,5x7,6	180	70
56L.3/8X7/16	3/8x7/16	14,6x16,7	7,6x8,3	185	82
56L.7/16X1/2	7/16x1/2	16,7x19	8,3x9,3	210	108
56L.1/2X9/16	1/2x9/16	19x21	9,3x10,3	220	137
56L.9/16X5/8	9/16x5/8	21x23,3	10,3x11,5	230	158
56L.5/8X3/4	5/8x3/4	23,3x27,5	11,5x12,8	260	216
56L.11/16X3/4	11/16x3/4	25,6x27,5	11,8x12,8	270	256
56L.13/16X7/8	13/16x7/8	29,9x32,2	13,5x14,5	300	363
56L.15/16X1P	15/16x1"	34,5x36,8	15x15,5	340	502
56L.1Px1P1/16	1"x1"1/16	36,8x38,8	15,4x16	370	598
56L.1P1/8x1P1/4	1"1/8x1"1/4	40,8x45,2	16x18	400	762

56A - Inch 10° hinged short-reach ring wrenches

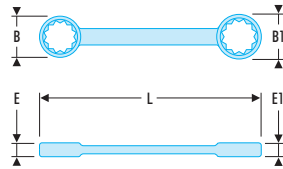
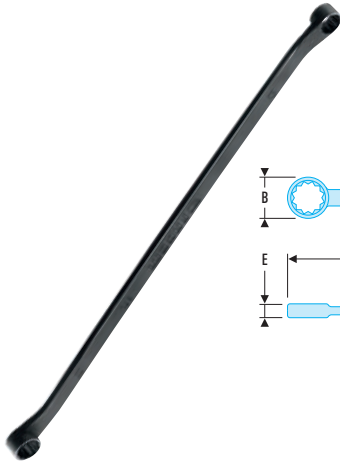


ASME B107.100

- Short-reach 10° offset-ring wrenches. Recess allows to pass fingers or an obstacle.
- The short-reach series increases accessibility.
- Ergonomic handle to apply torque while maintaining comfort of use.
- For 56A.3/16X7/32 6-point.
- OGV® profile 12-point ring for powerful tightening while protecting the nut.
- Inch sizes 3/16" to 13/16
- Satin chrome finish.

Ø	A ["]	B x B1 [mm]	E x E1 [mm]	L [mm]	ΔΔ [g]
56A.3/16X7/32	3/16x7/32	8,7x9,5	5,4x5,9	100	24
56A.1/4X5/16	1/4x5/16	10,5x12,5	5,9x6,5	110	31
56A.5/16X3/8	5/16x3/8	12,5x14,6	6,5x7,6	115	45
56A.3/8X7/16	3/8x7/16	14,6x16,7	7,6x8,3	122	55
56A.7/16X1/2	7/16x1/2	16,7x19	8,3x9,3	130	68
56A.1/2X9/16	1/2x9/16	19x21	9,3x10,3	140	89
56A.9/16X5/8	9/16x5/8	21x23,3	10,3x11,5	145	103
56A.5/8X3/4	5/8x3/4	23,3x27,5	11,5x12,8	160	139
56A.11/16X13/16	11/16x13/16	25,6x29,9	11,8x13	170	170

57L - Metric 15° hinged long-reach offset-ring wrenches

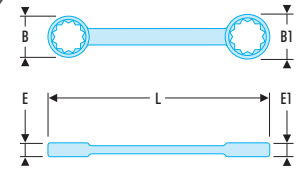
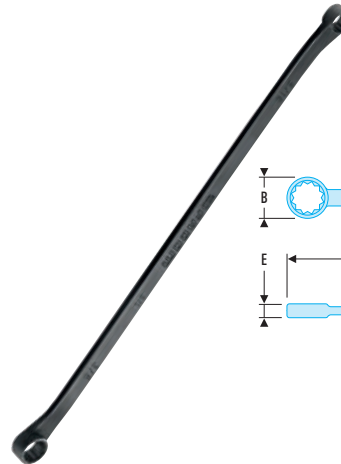


AS 955

- 15° thin wall long-reach offset-ring wrenches.
- Thin wall and long profile for maximum accessibility.
- Wrenches used in engine assembly and maintenance.
- OGV profile 12-point ring for powerful tightening.
- Sizes in mm: from 5.5 to 22
- Black phosphate finish.

➤	A [mm]	B x B1 [mm]	E x E1 [mm]	H [mm]	L [mm]	ΔΔ [g]
57L.5.5X7	5,5x7	9,5x10,7	6,3x7,3	4	191.8	50
57L.8X9	8x9	11,8x13,3	6,5x7,5	4	231.7	60
57L.8X10	8x10	11,8x14,6	6,5x7,5	4	231.7	66
57L.10X11	10x11	14,6x16	7,5x8,7	4	276.4	103
57L.10X12	10x12	14,6x17,3	7,5x8,7	4	276.4	105
57L.12X13	12x13	17,3x18,8	10,4x11,3	5	317.3	162
57L.12X14	12x14	17,3x18,8	10,4x11,3	5	317.3	181
57L.14X17	14x17	20x23,9	12x14	6	350.4	270
57L.17X19	17x19	23,9x26,5	14x15,1	7	390.3	360
57L.18X20	18x20	25,4x30,6	14x15,1	8	409.7	400
57L.19X22	19x22	28,5x31	16,7x17	8	409.7	425
57L.20X22	20x22	28,5x31	16,7x17	8	409.7	454

57L - Inch 15° hinged long-reach offset-ring wrenches

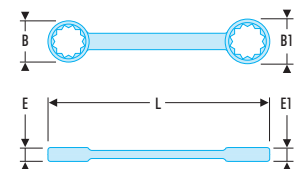
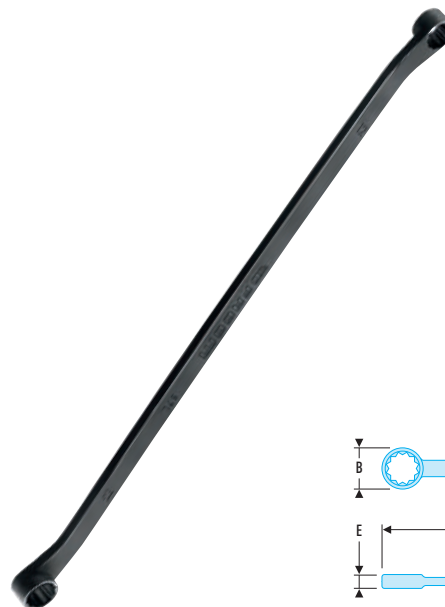


AS 954G

- 15° thin wall long-reach offset-ring wrenches.
- Thin wall and long profile for maximum accessibility.
- Wrenches used in engine assembly and maintenance.
- OGV profile 12-point ring for powerful tightening.
- Inch sizes 7/32" to 7/8
- Black phosphate finish.

➤	A ["]	B x B1 [mm]	E x E1 [mm]	H [mm]	L [mm]	ΔΔ [g]
57L.7/32x1/4	7/32x1/4	9,5x10,7	6,3x7,3	4	191.8	42
57L.1/4x5/16	1/4x5/16	10,2x11,6	6,3x7,3	4	191.8	42
57L.5/16x3/8	5/16x3/8	11,8x14,6	6,5x7,5	4	231.7	60
57L.3/8x7/16	3/8x7/16	14,6x17,3	7,5x8,7	4	276.4	105
57L.7/16x1/2	7/16x1/2	17,3x18,8	10,4x11,3	5	317.3	185
57L.1/2x9/16	1/2x9/16	18,8x20	12x13,7	6	350.4	272
57L.9/16x5/8	9/16x5/8	20x22,8	13,7x14	6	350.4	278
57L.5/8x3/4	5/8x3/4	22,8x26,5	14x15,1	7	390.3	393
57L.11/16x13/16	11/16x13/16	25,4x30	14x15,1	8	396.1	503
57L.25/32x7/8	25/32x7/8	28,5x31	16,7x17	8	409.7	529

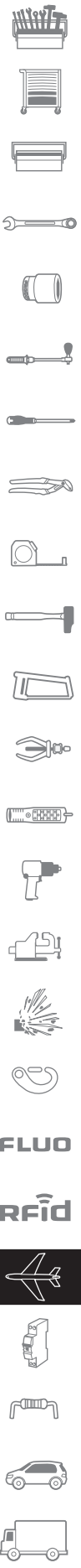
57L.SPL - Spline 15° hinged long-reach offset-ring wrenches



AS 954G MS-33787 MIL-W-8982

- Spline profile 15° angled long wall offset-ring ratchets for aeronautical fasteners.
- Thin wall and long profile for maximum accessibility.
- Wrenches used in engine assembly and maintenance.
- The spline profile applies more torque with less strength as the tightening contact surface is higher.
- The contact points of a Spline wrench are always far from the nut's angles. This limits wear of the nuts.
- The Spline profile ensures high versatility. It is compatible with Spline, Torx, 4-, 6- and 12-point fasteners.
- Spline sizes: from 7 to 32
- Black phosphate finish.

➤	B [mm]	B x B1 [mm]	E x E1 [mm]	H [mm]	L [mm]	ΔΔ [g]
57L.7X9SPL	7/32x9/32	9,5x10,7	6,3x7,3	3.8	191.8	44
57L.8X10SPL	1/4x5/16	10,2x11,6	6,3x7,3	3.8	191.8	46
57L.12X14SPL	3/8x7/16	14,6x17,3	7,5x8,7	4	276.4	100
57L.16X18SPL	1/2x9/16	18,8x20	12x13,7	5.7	350.4	269
57L.18X20SPL	9/16x5/8	21,1x23,4	12x13,7	5.7	350.4	274
57L.22X24SPL	11/16x3/4	25,4x30	14x15,1	7.8	396.1	490
57L.26X30SPL	13/16x15/16	29,9x34,5	14,2x15,6	7.8	431	550
57L.28X32SPL	7/8x1P	32,2x36,8	15x16	7.8	431	590



SOCKETS 1/4"

SPLINE PROFILE WRENCHES AND SOCKETS

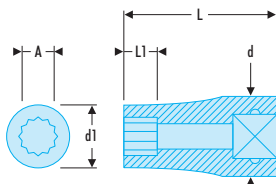
THE SPLINE PROFILE IS SUITED TO SEVERAL TYPES OF PATTERNS

Characteristics and benefits

- SPLINE wrenches and sockets are versatile products more effective than standard wrenches.
- A SPLINE wrench can replace many others as its profile is compatible with many patterns existing in the market.
- The contact points of a SPLINE wrench are always away from the nut angles. This reduces the risk of damaging the nut.
- On damaged nuts, locking is better as the SPLINE profile drives the nut on its flat part.



▪ R.S - 1/4" Spline sockets

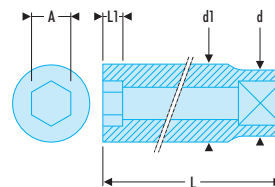


MIL-W-8982

- Profile adapted to aerospace fasteners.
- The Spline profile ensures high versatility. It is compatible with Spline, Torx, 4-, 6- and 12-point fasteners. Ensures more effective tightening with less effort.
- Thin wall.
- High performance level.
- Chrome finish.

Part No.	A ["]	d [mm]	d1 [mm]	L [mm]	L1 [mm]	ΔΔ [g]
R.7S	7/32	12	8.7	22	3.9	9
R.8S	1/4	12	9.5	22	4.3	9
R.9S	9/32	12	12	22	4.5	11
R.10S	5/16	12	12	22	5.5	13
R.12S	3/8	14.2	14.2	25	5.5	17
R.14S	7/16	16	14.2	25	7.8	22

▪ R.SEL - 1/4" Spline long-reach sockets



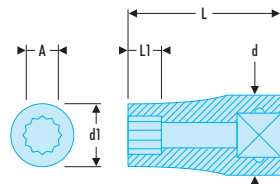
MIL-W-8982

- Profile adapted to aerospace fasteners.
- The Spline profile ensures high versatility. It is compatible with Spline, Torx, 4-, 6- and 12-point fasteners. Ensures more effective tightening with less effort.
- Thin wall and long-reach for long recess or thread access.
- High performance level.
- Chrome finish.

Part No.	A ["]	d [mm]	d1 [mm]	L [mm]	L1 [mm]	ΔΔ [g]
R.8SEL	1/4	12	9.5	50	4.3	20
R.10SEL	5/16	12	12	50	5.5	24

3/8" SOCKETS

J.S - 3/8" Spline sockets

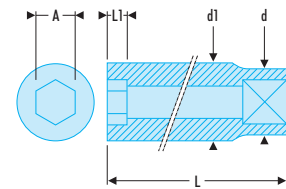


MIL-W-8982

- Profile adapted to aerospace fasteners.
- The Spline profile ensures high versatility. It is compatible with Spline, Torx, 4-, 6- and 12-point fasteners. Ensures more effective tightening with less effort.
- Thin wall.
- High performance level.
- Bright chrome finish.

Part No.	A ["]	d [mm]	d1 [mm]	L [mm]	L1 [mm]	ΔΔ [g]
J.12S	3/8	17	14	27	5.5	20
J.14S	7/16	17.5	16	27	7.8	25
J.16S	1/2	18.5	18.5	27	7.8	29
J.18S	9/16	20.6	20.6	27	8	37
J.20S	5/8	22.8	22.8	30	10.7	45

J.SEL - 3/8" Spline long-reach sockets



MIL-W-8982

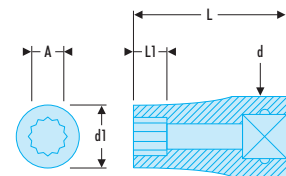
- Profile adapted to aerospace fasteners.
- The Spline profile ensures high versatility. It is compatible with Spline, Torx, 4-, 6- and 12-point fasteners. Ensures more effective tightening with less effort.
- Thin wall.
- High performance level.
- Bright chrome finish.

Part No.	A ["]	d [mm]	d1 [mm]	L [mm]	L1 [mm]	ΔΔ [g]
J.12SEL	3/8	17	14	63	5.5	47
J.14SEL	7/16	17.5	16	63	7.8	64
J.16SEL	1/2	18.5	18.5	63	7.8	70
J.18SEL	9/16	20.6	20.6	63	8	88

3/8" Spline impact socket 14 (7/16")

MIL-W-8982 MS-33787

- Aerospace dedicated socket: maintenance, fitting/removing engines of the CFM56 series.
- Black phosphate finish.



Part No.	A ["]	d [mm]	L [mm]	L1 [mm]	ΔΔ [g]
NJ.14S	7/16	18.9	29.5	7.8	34



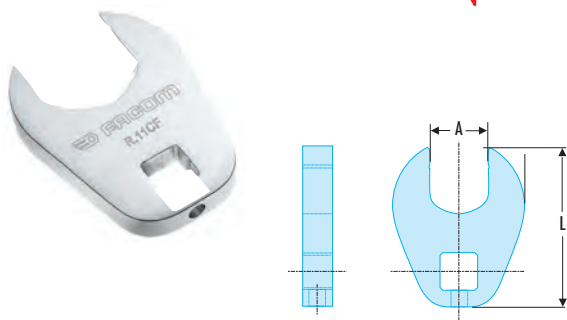
FLUO

RFid



1/4" CROWFOOT BITS

R.CF - 1/4" metric crowfoot end bits

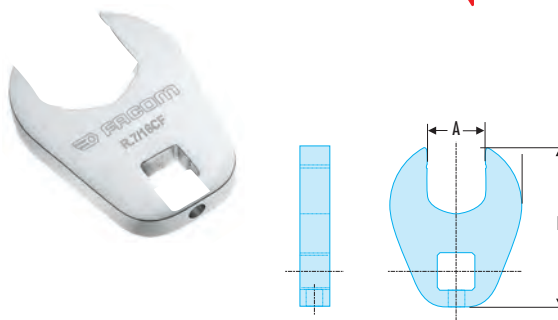


ASME B107.100

- Anti-slip design ensuring proper fitting on the fastener.
- Shaped to distribute the contact force over a larger surface.
- Suitable for use in confined spaces.
- Adapted to low torque uses.
- Sizes in mm: from 7 to 14
- Bright chrome finish.

Part No.	A [mm]	E [mm]	L [mm]	L1 [mm]	ΔΔ [g]
R.7CF	7	5.5	23.6	13.2	9
R.8CF	8	5.5	24.9	16.5	9
R.9CF	9	5.5	25.9	18.3	11
R.10CF	10	5.5	26.8	19.6	14
R.11CF	11	5.5	28.7	22.1	18
R.12CF	12	5.5	29.8	25.4	23
R.13CF	13	5.5	30.3	26.2	25
R.14CF	14	5.5	32.3	27.9	27

R.CF - 1/4" inch crowfoot open end bits

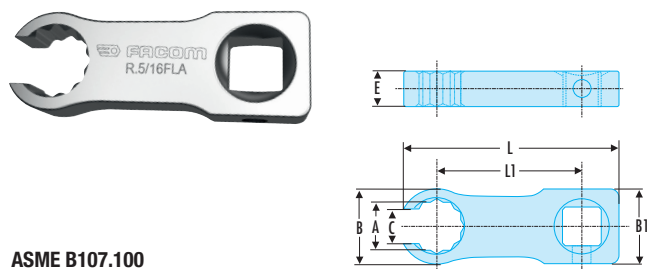


ASME B107.100

- Anti-slip design ensuring proper fitting on the fastener.
- Shaped to distribute the contact force over a larger surface.
- Suitable for use in confined spaces.
- Adapted to low torque uses.
- Inch sizes: from 1/4" to 9/16".
- Bright chrome finish.

Part No.	A ["]	E [mm]	L [mm]	L1 [mm]	ΔΔ [g]
R.1/4CF	1/4	5.5	23.1	13.5	9
R.5/16CF	5/16	5.5	24.8	16.5	14
R.3/8CF	3/8	5.5	26.4	19.8	16
R.7/16CF	7/16	5.5	28	22.1	18
R.1/2CF	1/2	5.5	29.6	26.2	23
R.9/16CF	9/16	5.5	31.2	28.4	25

R.FLA - 1/4" inch crowfoot box end bits

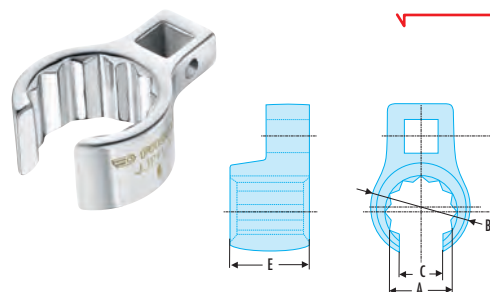


ASME B107.100

- Thin wall 12-point head.
- Max torque recommended: 8.5 N.m.
- Built to aeronautical specifications.
- Inch sizes: from 1/4" to 3/8".
- Bright chrome finish.

Part No.	A ["]	B [mm]	C [mm]	E [mm]	L1 [mm]	ΔΔ [g]
R.1/4FLA	1/4	11.9	4.5	5.9	36.3	13
R.5/16FLA	5/16	13.3	5.8	5.9	36.8	12.5
R.3/8FLA	3/8	15.7	7	5.9	38	14

J.FL - 3/8" inch crowfoot box end bits

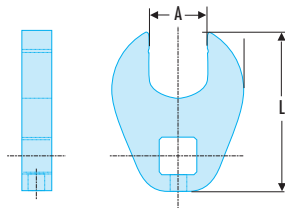


ASME B107.100

- Thin wall 12-point high head for better accessibility.
- Adapted to use in confined spaces inaccessible to ratchets and other wrenches.
- The hole in the drive bit secures the bit during use.
- Built to aeronautical specifications.
- Dimensions in inches: 5/8 to 1P1/16.
- Bright chrome finish.

Part No.	A ["]	B [mm]	C [mm]	L [mm]	ΔΔ [g]
J.5/8FL	5/8	24.6	18.3	38	40
J.11/16FL	11/16	27	18.3	41	46
J.3/4FL	3/4	29.4	19.1	43	54
J.13/16FL	13/16	31.4	19.1	45	58
J.7/8FL	7/8	33.7	19.8	48	68
J.15/16FL	15/16	35.7	19.8	49	72
J.1PFL	1P	37.7	20.6	51	74
J.1P1/16FL	1P1/16	39.7	20.6	53	83

■ J.CF - 3/8" metric crowfoot open end bits



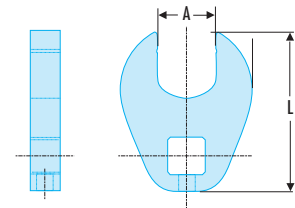
ASME B107.100

- Anti-slip design ensuring proper fitting on the fastener.
- Shaped to distribute the contact force over a larger surface.
- Suitable for use in confined spaces.
- Adapted to low torque uses.
- Sizes in mm: from 8 to 32
- Bright chrome finish.

➤	A [mm]	E [mm]	L [mm]	L1 [mm]	ΔΔ [g]
J.8CF	8	8	33.8	22.9	20
J.9CF	9	8	33.6	22.9	22
J.10CF	10	8	34.2	23.6	25
J.11CF	11	8	34.8	23.6	32
J.12CF	12	8	37.4	27.9	35
J.13CF	13	8	37.9	27.9	37
J.14CF	14	8	38.5	30	40
J.15CF	15	8	41.1	34.3	45
J.16CF	16	8	42.2	34.3	49
J.17CF	17	8	43.6	35.8	54
J.18CF	18	8	48.9	40.9	59
J.19CF	19	8	49.5	40.9	61
J.20CF	20	8	52.5	40.9	63
J.21CF	21	8	53.4	43.9	65
J.22CF	22	8	56.3	43.9	68
J.23CF	23	8	59.4	51.3	75
J.24CF	24	8	60.7	51.3	80
J.27CF	27	8	59.8	51.3	90
J.30CF	30	8	62.4	54	100
J.32CF	32	8	61.8	54	110



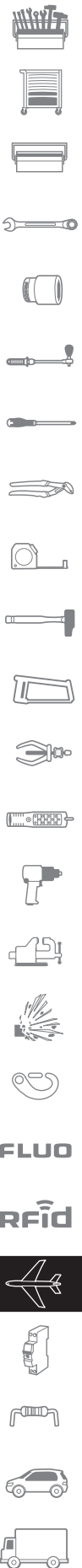
■ J.CF - 3/8" inch crowfoot open end bits



ASME B107.100

- Anti-slip design ensuring proper fitting on the fastener.
- Shaped to distribute the contact force over a larger surface.
- Suitable for use in confined spaces.
- Adapted to low torque uses.
- Inch sizes: from 3/8" to 3".
- Bright chrome finish.

➤	A ["]	E [mm]	L [mm]	L1 [mm]	ΔΔ [g]
J.3/8CF	3/8	8	32.3	23.4	27
J.7/16CF	7/16	8	33.1	23.4	29
J.1/2CF	1/2	8	35.8	27.9	32
J.9/16CF	9/16	8	40	31.5	35
J.5/8CF	5/8	8	42.1	34.3	41
J.11/16CF	11/16	8	47.5	39.1	45
J.3/4CF	3/4	8	48.5	40.4	50
J.13/16CF	13/16	8	50	43.7	52
J.7/8CF	7/8	8	51.3	45.2	54
J.15/16CF	15/16	8	52.8	45.7	59
J.1PCF	1P	8	54.1	50.8	70
J.1P1/16CF	1P1/16	8	55.3	53.1	109
J.1P1/8CF	1P1/8	8	56	53.1	115
J.1P3/16CF	1P3/16	8	57.6	53.8	120
J.1P1/4CF	1P1/4	8	59.5	54.6	122
J.1P5/16CF	1P5/16	8	61.9	54.6	125
J.1P3/8CF	1P3/8	8	63.4	61	131
J.1P7/16CF	1P7/16	8	65.3	61	135
J.1P1/2CF	1P1/2	8	67.8	65.8	150
J.1P9/16CF	1P9/16	8	69.3	65.8	154
J.1P5/8CF	1P5/8	8	71.2	69.1	163
J.1P11/16CF	1P11/16	8	73.6	69.1	172
J.1P3/4CF	1P3/4	8	74.5	73.7	177
J.1P13/16CF	1P13/16	8	76.9	73.7	181
J.1P7/8CF	1P7/8	8	77.9	81.3	204
J.1P15/16CF	1P15/16	8	81.1	84.8	222
J.2PCF	2P	11.1	85.2	88.1	322
J.2P1/16CF	2P1/16	11.1	86.8	88.1	331
J.2P1/8CF	2P1/8	11.1	90	91.2	336
J.2P3/16CF	2P3/16	11.1	91.7	92.7	354
J.2P1/4CF	2P1/4	11.1	93.3	99.1	404
J.2P5/16CF	2P5/16	11.1	95	100.8	408
J.2P3/8CF	2P3/8	11.1	99.6	105.4	458
J.2P7/16CF	2P7/16	11.1	103.7	105.4	467
J.2P1/2CF	2P1/2	11.1	106.9	108.7	499
J.2P9/16CF	2P9/16	11.1	108.5	110.2	503
J.2P5/8CF	2P5/8	11.1	112.5	116.6	576
J.2P11/16CF	2P11/16	11.1	114.5	119.9	608
J.2P3/4CF	2P3/4	11.1	117.6	121.4	621
J.2P13/16CF	2P13/16	11.1	121.5	121.4	626
J.2P7/8CF	2P7/8	11.1	123.3	129.3	689
J.2P15/16CF	2P15/16	11.1	124.9	130.8	703
J.3PCF	3P	11.1	125.7	130.8	717



FLUO

RFid



SETS OF 1/4" - 3/8" CROWFOOT PROFILE

Set of 1/4" metric crowfoot open end bits



Includes:

- 8 x 1/4" Crowfoot metric-size open end bits:
R.7CF - 8CF - 9CF - 10CF - 11CF - 12CF - 13CF - 14CF.
- Foam tray: PM.RJ8CF.
- Empty case: BP.102.

FACOM	H [mm]	L [mm]	P [mm]	Qty	ΔΔ [g]
R.J8CF	50	200	115	8	294

Set of 1/4" inch crowfoot open end bits



Includes:

- 6 x 1/4" crowfoot inch-size open end bits:
R.1/4CF - 5/16CF - 3/8CF - 7/16CF - 1/2CF - 9/16CF .
- Foam tray: PM.RJ6CFU.
- Empty case: BP.102.

FACOM	H [mm]	L [mm]	P [mm]	Qty	ΔΔ [g]
R.J6CFU	50	200	125	6	264

3/8" CROWFOOT PROFILE BITS

Set of 3/8" metric crowfoot open end bits



Includes:

- 14 x 3/8" Crowfoot metric-size open end bits:
J.10CF - 11CF - 12CF - 13CF - 14CF - 15CF - 16CF -
17CF - 18CF - 19CF - 21CF - 22CF - 23CF - 24CF.
- Foam tray: PM.JJ14CF.
- Empty case: BP.112.

FACOM	H [mm]	L [mm]	P [mm]	Qty	ΔΔ [kg]
J.J14CF	65	385	165	14	1.4

■ Set of 3/8" inch crowfoot open end bits

Comprises:

- 11 x 3/8" Crowfoot inch-size open end bits: J.3/8CF - 7/16CF - 1/2CF - 9/16CF - 5/8CF - 11/16CF - 3/4CF - 13/16CF - 7/8CF - 15/16CF - 1PCF.
- Foam tray: PM.JJ11CFU.
- Empty case: BP.112.



FACOM	H [mm]	L [mm]	P [mm]	Qty	ΔΔ [kg]
J.J11CFU	65	385	165	11	1.2

■ Set of 3/8" inch flare-nut bits

Comprises:

- 8 x 3/8 piping Crowfoot inch-size open end bits: J.5/8FL - 11/16FL - 3/4FL - 13/16FL - 7/8FL - 15/16FL - 1PFL - 1P1/16FL.
- Foam tray: PM.JJ8FLU.
- Empty case: BP.115.



FACOM	H [mm]	L [mm]	P [mm]	Qty	ΔΔ [g]
J.J8FLU	65	335	150	8	915

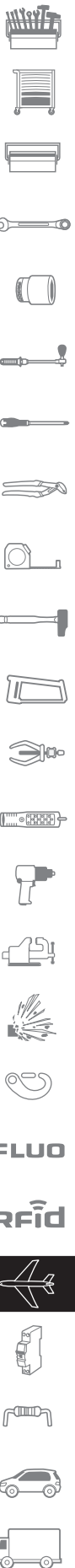
■ Set of 9 3/8" to spline adaptors

Includes:

- 11 metric-size open end bits 3/8": J.7SPR - 8 - 9 - 10 - 12 - 14 - 16 - 18 - 20.
- Foam tray: PM.JJ9SPR.
- Empty case: BP.115.



FACOM	H [mm]	L [mm]	P [mm]	ΔΔ [g]
J.J9SPR	70	327	150	970



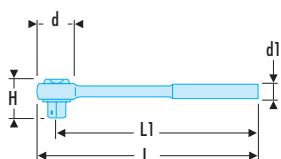
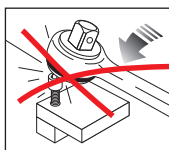
FLUO

RFid



RATCHETS 1/4"

1/4" Fluo Hi-Lok® ratchet



ISO 3315

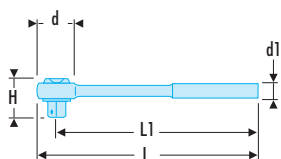
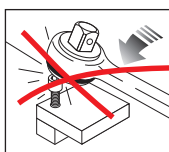
- Specific ratchet for use on Hi-Lok®, Hi-Lite® or Hi-Tigue® rivets.
- The sockets are locked onto square drive by a metal clip.
- Hole in the ratchet head to insert a key to lock the fastener during the tightening phase.
- Highly compact head for better accessibility.
- 1/4" square drive bit.
- 72 tooth mechanism for 5° increments.
- Detect the tool thanks to its fluorescence, activated by a lamp or UV neon light. Detectable in black or dark environment up to 5 metres.



ED	d [mm]	d1 [mm]	L [mm]	L1 [mm]	ΔΔ [g]
RL.161HLF	22	20	120	110	80

RATCHETS 3/8"

3/8" Fluo Hi-Lok® ratchet



ISO 3315

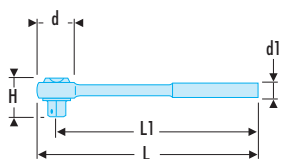
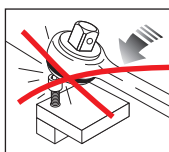
- Specific ratchet for use on Hi-Lok®, Hi-Lite® or Hi-Tigue® rivets.
- The sockets are locked onto square drive by a metal clip.
- Hole in the ratchet head to insert a key to lock the fastener during the tightening phase.
- Highly compact head for better accessibility.
- 3/8" square drive bit.
- 72 tooth mechanism for 5° increments.
- Detect the tool thanks to its fluorescence, activated by a lamp or UV neon light. Detectable in dark environments up to 5 metres.



ED	d [mm]	d1 [mm]	H [mm]	L [mm]	L1 [mm]	ΔΔ [g]
JL.161HLF	29	27	29	210	195	200

RATCHETS 1/2"

1/2" Fluo Hi-Lok® ratchet



ISO 3315

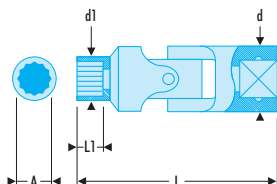
- Specific ratchet for use on Hi-Lok®, Hi-Lite® or Hi-Tigue® rivets.
- The sockets are locked onto square drive by a metal clip.
- Hole in the ratchet head to insert a key to lock the fastener during the tightening phase.
- Highly compact head for better accessibility.
- 1/2" square drive bit.
- 72 tooth mechanism for 5° increments.
- Detect the tool thanks to its fluorescence, activated by a lamp or UV neon light. Detectable in dark environments up to 5 metres.



ED	d [mm]	d1 [mm]	H [mm]	L [mm]	L1 [mm]	ΔΔ [g]
SL.161HLF	37	32	37	262	245	446

SOCKETS 1/4"

R.F - 1/4" drive hinged 12-point sockets

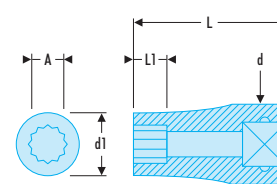


ASME B107.110

- OGV® profile: more powerful tightening, preserves fasteners.
- Compact solution used instead of universal joint.
- Finish: bright chrome.

Size	A ["]	d [mm]	d1 [mm]	L [mm]	L1 [mm]	Teeth [mm]	ΔΔ [g]
R.3/16F	3/16	13	8,0	31,6	5,3	12	13
R.7/32F	7/32	13	8,5	32,4	6,1	12	13
R.1/4F	1/4	13	9,8	32,8	6,5	12	13
R.9/32F	9/32	13	10,5	32,8	6,5	12	13
R.5/16F	5/16	13	12,0	33,3	7,0	12	14
R.11/32F	11/32	13	13,3	33,3	7,0	12	16
R.3/8F	3/8	13	13,7	34,6	8,3	12	21
R.7/16F	7/16	13	15,5	35,8	9,5	12	27
R.1/2F	1/2	13	18,0	36,8	10,5	12	34
R.9/16F	9/16	13	19,2	36,8	10,5	12	35

RB - 1/4" drive inch 12-point thin wall sockets



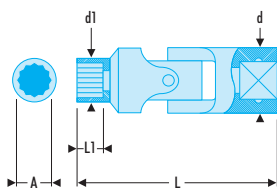
ASME B107.110

- OGV® profile: more powerful tightening, preserves fasteners.
- Thin-wall for better access, conform with aeronautical standards.
- Finish: bright chrome.

Size	A ["]	d [mm]	d1 [mm]	L [mm]	L1 [mm]	Teeth [mm]	ΔΔ [g]
RB.3/16	3/16	11,2	7,6	22	4,8	12	7
RB.7/32	7/32	11,2	8,7	22	5,5	12	8
RB.1/4	1/4	11,2	9,7	22	6,0	12	8
RB.9/32	9/32	11,2	10,6	22	6,0	12	10
RB.5/16	5/16	11,9	11,9	22	6,5	12	10
RB.11/32	11/32	12,9	12,9	22	6,5	12	11
RB.3/8	3/8	13,7	13,7	22	7,8	12	14
RB.7/16	7/16	14,8	15,8	22	9,0	12	17
RB.1/2	1/2	16,0	16,9	22	10,0	12	18
RB.9/16	9/16	17,5	18,7	22	10,0	12	22

3/8" SOCKETS

J.F - 3/8" drive hinged inch 12-point sockets

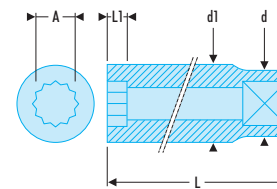


ASME B107.110

- OGV® profile: more powerful tightening, preserves fasteners.
- Compact solution used instead of universal joint.
- Finish: bright chrome.

Size	A ["]	d [mm]	d1 [mm]	L [mm]	L1 [mm]	Teeth [mm]	ΔΔ [g]
J.3/8F	3/8	19	14,0	27	8,3	12	26
J.7/16F	7/16	19	15,8	27	9,8	12	27
J.1/2F	1/2	19	18,3	30	11,3	12	36
J.9/16F	9/16	19	19,5	30	11,3	12	34
J.5/8F	5/8	19	22,0	30	12,8	12	46
J.11/16F	11/16	19	24,00	33	13,8	12	74
J.3/4F	3/4	19	25,8	33	15,8	12	76

JB - 3/8" inch 12-point sockets



ASME B107.110

- OGV® profile: more powerful tightening, preserves fasteners.
- Built to aeronautical specifications.
- Finish: bright chrome.

Size	A ["]	d [mm]	d1 [mm]	L [mm]	L1 [mm]	Teeth [mm]	ΔΔ [g]
JB.1/4	1/4	16,7	9,7	27	6,0	12	20
JB.5/16	5/16	16,7	11,7	27	6,8	12	21
JB.11/32	11/32	16,7	12,7	27	6,8	12	22
JB.3/8	3/8	16,7	13,7	27	7,5	12	23
JB.7/16	7/16	16,7	15,6	27	9,0	12	24
JB.1/2	1/2	16,7	17,6	30	10,4	12	27
JB.9/16	9/16	18,5	19,6	30	10,5	12	33
JB.5/8	5/8	20,0	21,6	30	12,0	12	42
JB.11/16	11/16	22,0	23,6	32	13,0	12	50
JB.3/4	3/4	22,8	25,4	32	15,0	12	55
JB.13/16	13/16	24,0	27,4	32	16,0	12	68
JB.7/8	7/8	24,0	29,4	32	16,0	12	68



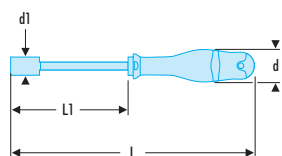
FLUO

RFid



SCREWDRIVERS

■ **PROTWIST® ratchet blade holder screwdriver + 15 bits**



- High quality 45-teeth ratchet = fast screwing, accuracy, strength and longevity.
- 3-position bush: screwing, unscrewing and locking (hand selection).
- Storage cap for charger.
- Cap can be used as mini bit holder for use in confined spaces.
- Partially hollow handle to store more bits or screws.
- Bimaterial ergonomic handle for comfortable and reliable screwing.
- Very low blade return torque.
- Powerful magnetic adapter allowing the magnet to hold the bit and screw.
- Magnetised central storage of chargers serves as additional mini bit holder.
- Including 2 chargers:
 - 1 charger containing 7 screw bits + 1 separate: ' 4 - 6,5 ; (PH.1 - PH.2 ; § PZ.1 - PZ.2 ; 3 4 - 6.
 - 1 transparent charger containing 7 Resistorx bits

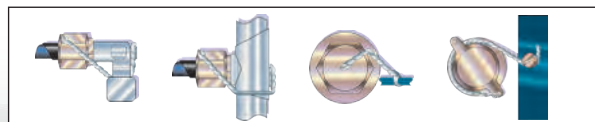
	d [mm]	d1 [mm]	L [mm]	L1 [mm]
ACL.1A	38.1	10	225	100

FACOM LOCKING-WIRE PLIERS



Fast twist in lock-wire securing assemblies subject to vibration.

- For stainless and Inconel wire Ø 1 mm.
- Lateral wire cutter.
- Slim nose-tip for optimum manoeuvrability.
- 10" model: 3 turns, 125 mm travel.
- 8" model: 2.5 turns, 95 mm travel.

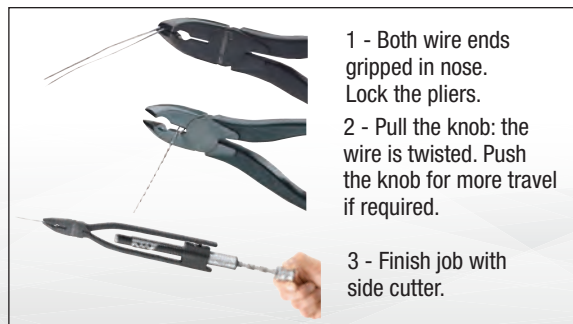


Automatic model

- Automatic-reset model for simplicity and time-saving.

Reversible model

- For working in either direction.



- 1 - Both wire ends gripped in nose. Lock the pliers.
- 2 - Pull the knob: the wire is twisted. Push the knob for more travel if required.
- 3 - Finish job with side cutter.

AERO PLIERS

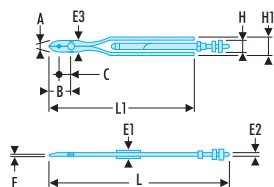
LOCKING-WIRE PLIERS

■ **Short locking-wire pliers 8"**



ASME B107.500

- 445.8R = "automatic" model.
- 445.8DS = "reversible" model.
- Side wire-cutter: stainless steel diameter 1 mm.
- 2.5 turns: 95 mm length.



	A [mm]	B [mm]	C [mm]	E [mm]	E1 [mm]	E2 [mm]	E3 [mm]	H [mm]	H1 [mm]	L [mm]	L1 [mm]	ΔΔ [g]
445.8R	3	20	7	2,5	15	10,5	15	22	37	215	170	245
445.8DS	3	22	9	2,2	15	29,8	14	30	41	284	170	320

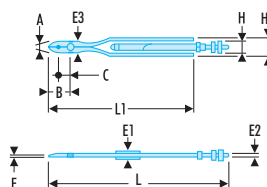
Locking-wire pliers 10"

ASME B107.500

- 445.10R = "automatic" model.
- 445.10DS = "reversible" model.
- Side wire-cutter: stainless steel diameter 1 mm.
- 3 turns: 125 mm length.



	A [mm]	B [mm]	C [mm]	E [mm]	E1 [mm]	E2 [mm]	E3 [mm]	H [mm]	H1 [mm]	L [mm]	L1 [mm]	ΔΔ [g]
445.10R	3	30	11	2,5	15,5	11,5	19	25	40	360	230	400
445.10DS	3	30	11	2,2	15,5	29,8	19	30	45	360	230	450



AEROSPACE

Inspection creeper

- High density foam padded vinyl headrest resistant to automotive fluid.
- Frame made of ovoid-shape tube: no protruding angle to improve comfort and better wheel fastening.
- Maximum height: 100 mm.
- Max. chassis load: 150 kg.
- 6 wheels.
- Dimensions (L. x W.): 1010 x 630 mm.



	Width l [mm]	L [mm]	ΔΔ [kg]
DTS.1B	630	1010	8.2

Heavy-duty inspection creeper

- Adjustable headrest.
- Tool tray.
- High density foam padded vinyl headrest resistant to automotive fluid.
- Maximum height: 100 mm.
- Max. chassis load: 150 kg.
- 6 wheels.
- Dimensions: 101 x 63 cm.



	Width l [mm]	L [mm]	ΔΔ [kg]
DTS.2B	630	1010	10.0

Mid-height work seat

- Ideal for working on wheels, brakes and bodywork.
- Thick heavy-duty PVC padding.
- Stability ensured by 4 wheels diameter 75 mm.
- Magnetic surface for fasteners and small components.
- Overall height: 590 mm.
- Seat height: 420 mm.
- Dimensions (L. x W.): 463 x 430 mm.



	H [mm]	Width l [mm]	L [mm]	ΔΔ [kg]
DTS.4A	590	630	1010	5.5



INSPECTION MIRRORS

834A.R - Flexible mirrors

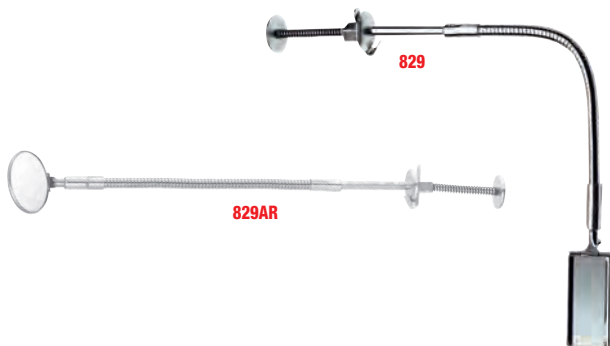


- Flexible mirror adapting to all types of parts.
- Hinged head for enhanced visibility in cluttered locations.



➤	d [mm]	L [mm]	ΔΔ [g]
834A.R	70x45	308	44

829 - Orientable flexible mirrors



- Orientable flexible mirror.
- The mirror turns when pressing the buttons on the handle.



➤	d [mm]	L [mm]	ΔΔ [g]
829	70x45	495	225
829AR	55	480	224

834B.RTI - Telescopic mirrors

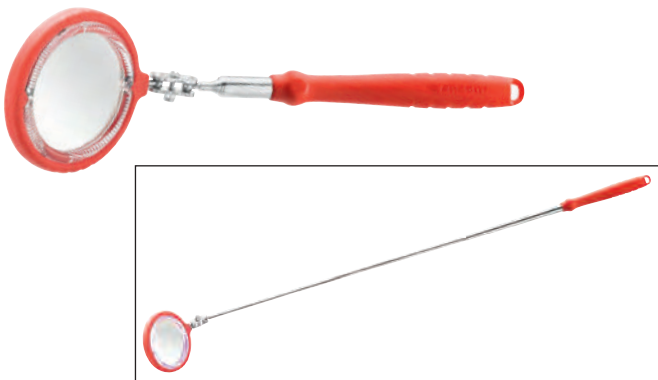


- Mirror with LED back lighting for better visibility in dark areas.
- Scratch resistant glass.
- Molded plastic rim around the glass to protect parts worked on and ensure mirror durability.
- Joint easily adjustable, even locks, by screw.
- Ergonomic plastic handle resists to solvents: Skydroll, diesel fuel, etc.
- Max length 850 mm.



➤	d [mm]	L [mm]	ΔΔ [g]
834B.RTI	55	955	78
834B.RTIS	33	935	68
834B.RTIR	70x54	970	88

Telescopic mirror with magnifying effect



- Mirror with magnifying effect.
- Scratch resistant glass.
- Molded plastic rim around the glass to protect parts worked on and ensure mirror durability.
- Joint easily adjustable, even locks, by screw.
- Ergonomic plastic handle resists to solvents: Skydroll, diesel fuel, etc.
- Max length 850 mm.

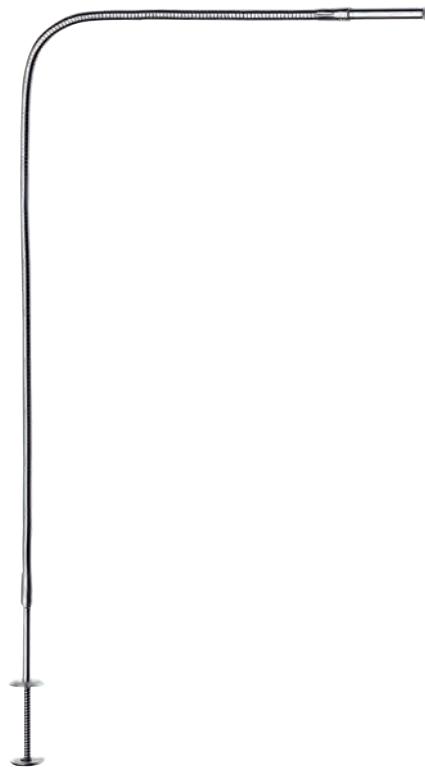


➤	ΔΔ [g]
834B.RTIM	78

INSPECTION MIRRORS

Flexible mechanical retriever 1000 mm

- Max nose opening diameter: 29 mm.
- Length: 1000 mm.



Icon	L [mm]	ΔΔ [g]
826.2	1000	400

"Luminous" flexible magnetic retriever

- Magnet diameter: 15 mm.
- Max lifted weight: 1.2 kg.
- LR1 battery.



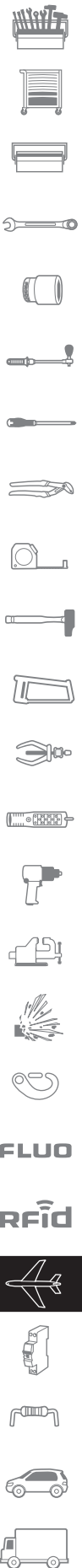
Icon	L [mm]	ΔΔ [g]
828	590	220

Extra-thin flexible magnetic finger

- Flexible and long head diameter model.
- Maximum supported weight: 120 g.



Icon	L [mm]	ΔΔ [g]
827.1	530	80



FLUO

RFid

